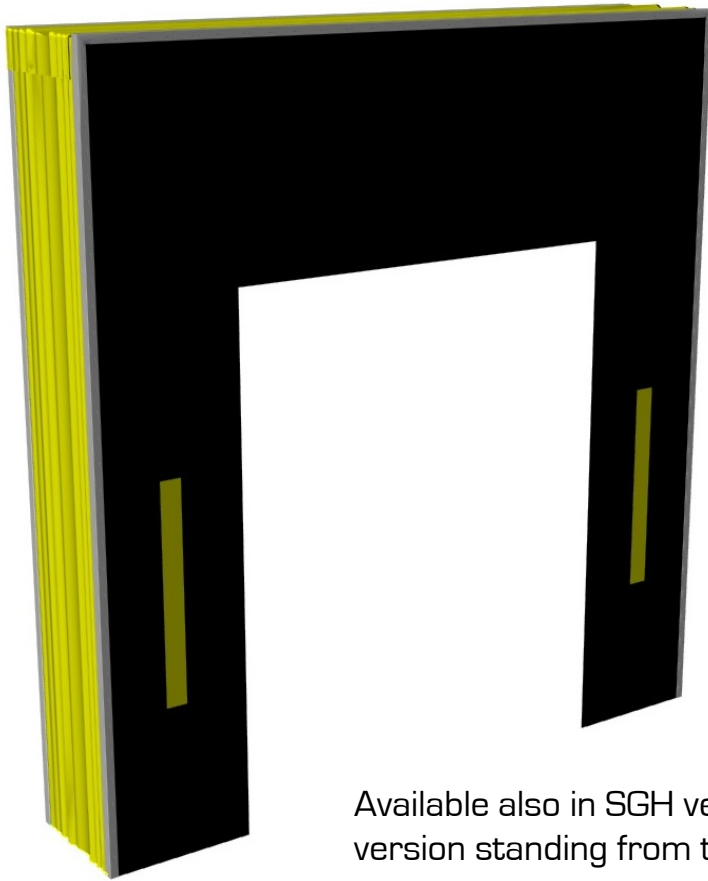


DOCK SHelters & COVERINGS



T PEDANE
TM s.r.l.

19. SG

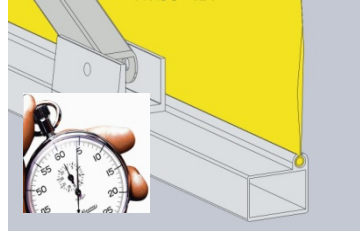
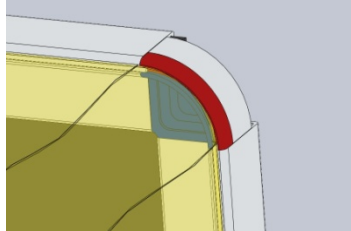


Dock shelter with lateral soft PVC front single and double frame PVC with innovative strong aluminum profile, **EASIER TO INSTALL AND MOUNT** (see user manual)



Available also in SGH version (higher 4500mm version standing from the groundfloor)

The aluminum profile has round borders allowing higher resistance to tearing



Structure is engineered with a special installation system allowing considerable time sparing, as the side yellow panels are laterally sliding inserted

DETAILS:

Black single frame PVC 1000mm wide 4mm thick front upside panel

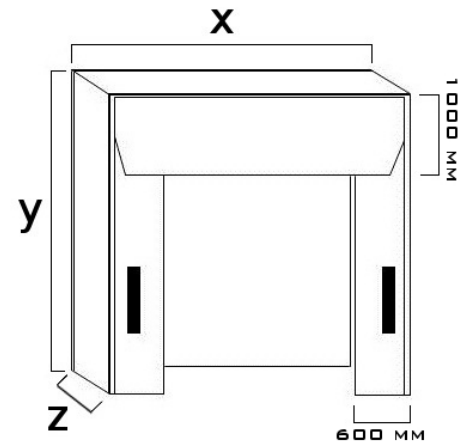
Black double frame PVC 700mm wide 4mm thick front side panels

Yellow lateral covering in Soft PVC strong anti-tearing polyester.

Black panels 30% flexibility and 40% framing.

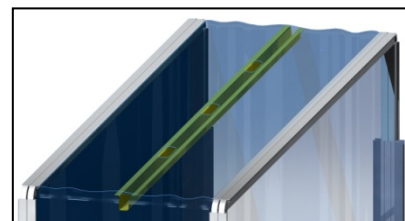
Easy panel fixing system in aluminum with joints-covering to protect fixing screws.

| CODE | X (mm) | Y (mm) | Z (mm) | THICKNESS (mm) |
|---------|--------|--------|--------|----------------|
| SG.650 | 3400 | 3400 | 650 | 3 |
| SG.900 | 3400 | 3400 | 900 | 3 |
| SGH.650 | 3400 | 4500 | 650 | 3 |
| SGH.900 | 3400 | 4500 | 900 | 3 |



Extractable curtain for vans and lower trucks

ACCESSORIES



Upside lateral covering with holes and drainage gutter

20. SGG - CUSHION SHELTERS

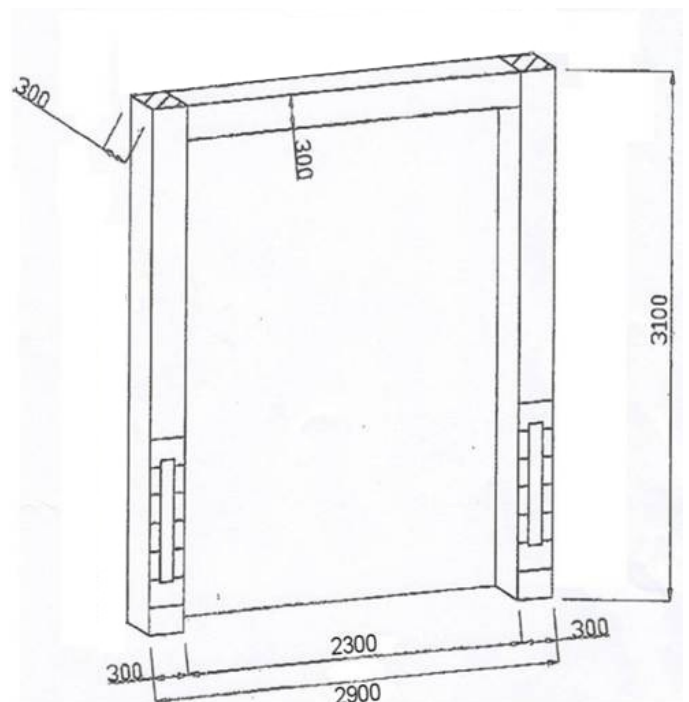


PERFECT FOR:

CONTROLLED TEMPERATURE INSULATED WAREHOUSES:
HIGHLY PERFORMING INSULATION FACTOR LOADING ON
STANDARD DIMENSIONS TRUCKS AND NON-SLOPING
GROUND FLOOR SURFACE.

PVC panel shelters with foam rubber filling on wooden fixable back-plate.

Product characteristics require contacting TM Pedane sales office to evaluate needs and engineer a perfectly fitting product.



| CODE | WIDTH (mm) | HEIGHT (mm) | CUSHIONS width x depth (mm) |
|------|---------------|----------------|--------------------------------|
| SGG | 2900 | 3100 | 300x300 |

SUPPLY TERMS

1. Scope of appliance

These conditions will be applied to every TM Pedane bid or assignment referring to catalogue for 2011 and will prevail on the customer's terms, unless there's an expressed written acceptance by TM Pedane.

2. Implicit acceptance of the terms

All enquiries have to be written and sent with confirmation of receipt by fax (+39 0734 873010) or e-mail (commerciale@tmpedanesrl.com; info@tmpedanesrl.com) and will be followed by quotation. Each quotation sent by TM Pedane will be considered as accepted and confirmed only if it has been received altogether with these supply terms, both **STAMPED and SIGNED**, that is to say confirmed on paper and sent to the mentioned fax or e-mail contacts, without any change by the customer. Quotes for non-standard supplies, that is to say customized for the customer outside of the catalogue, in order to be accepted, have to go with a technical drawing, and both of them must be stamped and signed for confirmation, otherwise the bid is not considered as accepted. Signing the quotation, the customer automatically declares to be aware of these terms and to agree with them.

3. Change and revision of quotes/orders

Any changes or revisions affecting the quotation supply terms can become effective only after receiving a written confirm by TM Pedane, and they cannot be included in the standard catalogue price, so they must be invoiced. If the customer, for any reason, decides to modify, postpone, or cancel the order after the contracted quotation confirm, TM Pedane will have right to charge him for the work made until the change/postponement/cancellation. Any requested change during the order will cause delays on formerly fixed delivery timetable.

4. Bids and quotations duration

All bids and quotations compiled by TM Pedane last no more than 1 month.

All agreed purchase terms will be revised 2 years after the latest supply and will have to be decided, contracted and confirmed on paper again.

5. Delivery terms

The minimum delivery terms for each supply, regardless of the amount, are these: 30 days with effect from the date of receiving of our quotation and supply terms stamped and signed by the customer without any kind of change to conditions. In case of handwritten change of a quotation, TM Pedane, being not able to accept the order, will have to send a corrected quote to be stamped and signed again. All delivery times are to be considered as indicative, not obligatory. Tm Pedane commits itself to respect the delivery timetable agreed with the customer, exclusive of circumstances beyond its control. Circumstance beyond control is intended to be every event which cannot be predicted in conclusion of the agreement, making it actually reasonably impossible to claim fulfillment of any commitment to the customer. These causes can be included: suppliers non-fulfillment, illness, workers strikes, transport strikes, war, political agitations, transport problems, fires, bad weather, machinery breakdowns or any similar circumstances TM Pedane cannot be charged with. Delays on delivery terms due to circumstances beyond control cannot cause either claims for damage payment, cancellations or reductions/modifications of orders and will be communicated by fax or e-mail to the client.

6. Warranty and assistance procedures

Tm Pedane srl won't be responsible to any counterpart for any damage, loss, or extra-cost caused by failure to comply with supply agreement for already mentioned causes, that is to say any damage, loss or extra-cost due to use or inability to use of the goods, as the customer has the only right to obtain restitution of the price paid, exclusive of any transport costs.

Every sold product has a 24 months warranty period for lack of conformity, due to Italian standards art. 128 ss. d.lgs. n. 206/2005. 24 months warranty can be applied only when a product has a lack of conformity, provided it has been used correctly and in perfect compliance with its scope of appliance and with what mentioned in attached specific manual. In case of lack of conformity, manufacturer shall ensure the restoration of conformity of the product through substitution/repairing or price reduction, in order to reach agreement resolution. If, after Authorized Assistance Center intervention, this problem proved to be not a lack of conformity, the customer would be charged for any cost of verification and restoration required by Assistance Center, inclusive of transport costs if previously charged by manufacturer. Assistance and restoration completion times depend exclusively on manufacturer policy. If the manufacturer, for any reason, couldn't to give the customer back a product under warranty (fixed or changed) the manufacturer could freely go on at its own will to give back the whole price paid or to change the product with another one with same or better characteristics. If compliance with warranty requires return of the product, it should be sent back by the customer in its original complete and packaging (pack, documentation and accessories like cables, manuals, screws... included). If delivered products under warranty are collected in perfect conditions, Tm Pedane Srl will provide to send them back at customer charge. If repair is not applicable under warranty coverage Tm Pedane Srl will contact the customer to communicate the repair price on quotation. If customer decides to give up repair of the product he will be charged a sum of €35,00 required by assistance center for product check-up. Warranty covers only repair and substitution of unusable or inefficient for manufacturing and production defects. Tm Pedane srl will never and in no case be charged with any damages or charges due to any interruption of work of elements under warranty.

Repair times of authorized assistance centers of the almost part of manufacturing companies are more or less 30 working days. Tm Pedane Srl will never and in no case be charged with damages and charges due to any delay in third part repair.

7. Jurisdiction and venue

Every controversy related to appliance, execution, interpretation, and violation of supply terms and agreements will be turned to Italian jurisdiction. For any controversy between parts about these supply terms will be dealt by Fermo Court.

8. Responsibility and withdrawal of supplier

Tm Pedane srl won't get any responsibility for any inefficiency due to circumstances beyond control as accidents, explosions, fires, strikes, earthquakes, floods, lockouts, and any other events not allowing completely or partially to accomplish the supply agreement in agreed times. If Tm Pedane Srl is unable to comply with requested order due to even temporary unavailability of the ordered product, it will have the right to withdraw the supply agreement within 30 working days from order date giving the customer a semple communication with reasons explained, following art. 54, comma 2 D.Lgs. 206/05.

9. Transportation

Supplies, exclusive of different agreements established on the written quotation, will be charged to the customer. Delivery is considered as accomplished at the moment the products get outside TM Pedane factory. In case Tm Pedane deals the delivery, it is made by external courier, so any delay is not to be charged to us.

10. Claims

Claims, to be valid, must be communicated in writing within 8 days from the date of receiving of the products. In case of correctly claimed defects, TM Pedane, except from any further warranty, commits itself to replace or repair by its own choice the defective goods, being charged only for damages or defects that can clearly be demonstrated to be directly attributed to our malpractice. Any protest or claim referring to part of the goods doesn't allow the customer not to take the remaining part within formerly fixed limits and conditions. In any case, beyond what said before, it is to be considered that, exclusive of situations ruled by D.P.R. 24.05.1998, n. 224 and allowed by art. 1229 c.c., the customer cannot either get any compensation for indirect damages, failed profit or loss in production, or claim a money compensation higher than the value of the goods. Any variations in appearance, weight or colour, whether keeping to the standard tolerance limits, do not justify any eventual claim on the invoice. Images, dimensions and weight indicated in our catalogue 2011, technical details, specifications, bids and/or order confirmations are only approximate, so variations on weight, measures and quality are allowed within the trade and law tolerance limits.

11. Payment terms

All prices on the list are VAT, transport and any other non production cost exclusive. Standard allowed payment method is bank transfer in advance. All other reprieved credit conditions can be applied only to TM Pedane trusted dealers with whom company establishes partnership agreement. Invoices must be paid off within the latest fixed date on them, otherwise the customer is to be considered as defaulter. In case of delayed payment and/ or outstanding debt, TM Pedane is allowed to bill late charges as established by D.Lgs. 231/2002. In case of delayed payment and/or outstanding debt, Tm Pedane srl will have the right to ally delay interests according to Art. 5 of D.Lgs 231/2002. In case of delayed payment and/ or outstanding debt, Tm Pedane is allowed to freeze out any duties on the contract and on any other deals with the client and to freeze out any further supply until the payment Delivered goods remain exclusive property of TM Pedane until the complete payment.

12. Copyright

Tm Pedane reserves in any case exclusive property right to sell and/or distribute its projects, drawings and tools. Use and disclosure of documentation and its content are not allowed unless there's a specific written authorization.

13. Privacy

The data treatment itself is solely in relation to or instrumental to the activities according to the our needs and management aims. It will be performed using procedures that guarantee respect for the privacy rights of the user and consists of its collection, registration, organization, archiving, processing, modification, selection, retrieval, comparison, use, interconnection, grouping, communication, circulation, cancellation and destruction, also via a combination of two or more of the aforementioned procedures. This is according to the art. 13 of D.Lgs n. 196/2003. Data can be communicated to controlled and controlling firms, to Italian and abroad subjects, banks institutes for payments. These data are necessary in order to maintain and keep the existing relationships.

CONTACT US...

CALLING AT
(TEL/FAX) +39(0)734873010

WRITING TO
Mr. Giordano Cavone
export@tmpedanesrl.com

VISITING
www.tmpedanesrl.com
www.youtube.com/user/TMPedane

...OR ELSE COME AND SEE

TM Pedane is easily reachable through
A14 / E55 Highway going from Bologna
to the Adriatic coast until Bari.

Ancona Sanzio airport: 30 min
Pescara D'Abruzzo airport: 70 min
Bologna Marconi airport: 90 min
Rome Fiumicino airport: 120 min



TM PEDANE
TM s.r.l.

Via Roma 63014 Montegranaro (FM) Italy
VAT: IT01751680446

T PEDANE
TM  s.r.l.