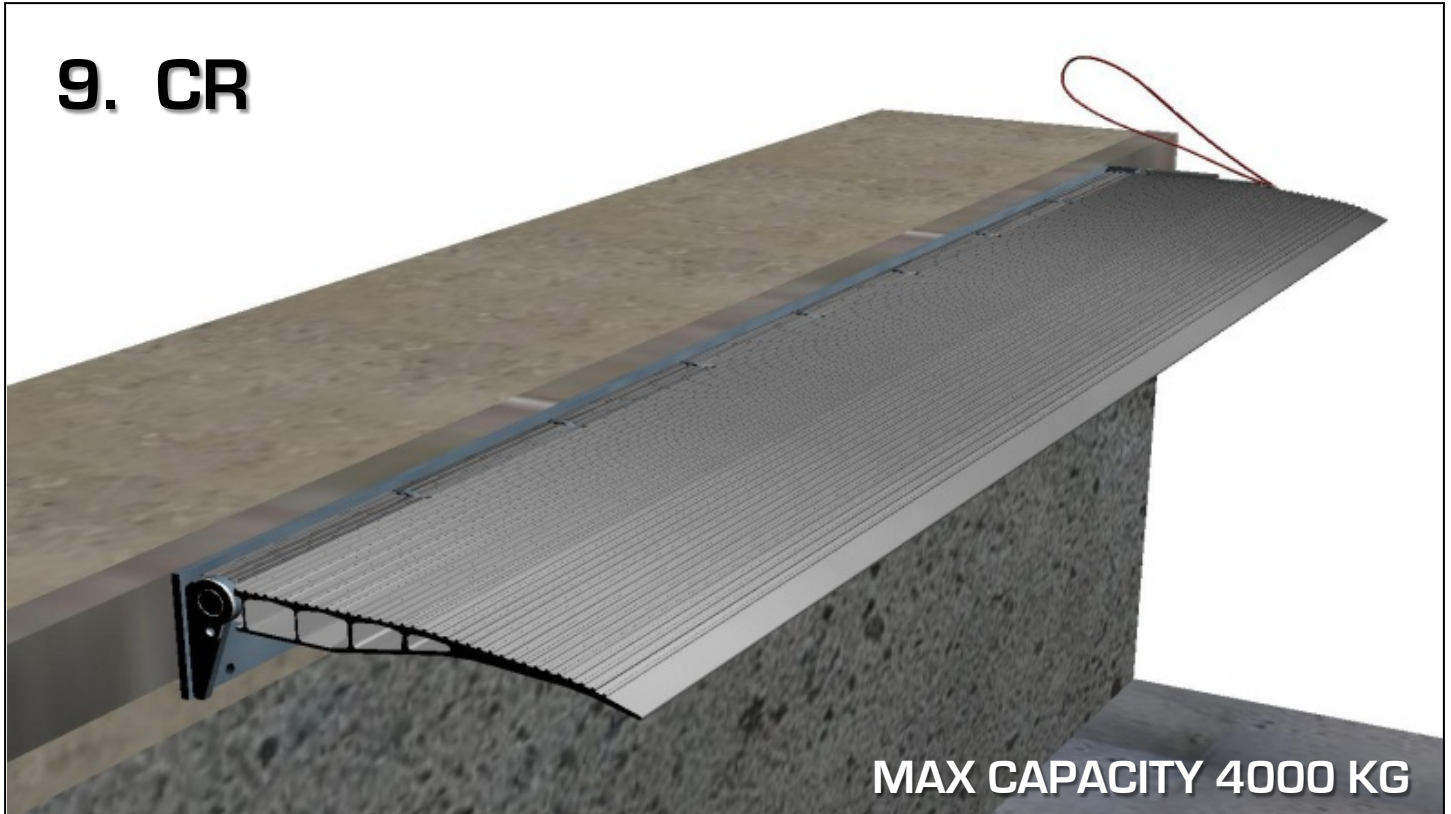


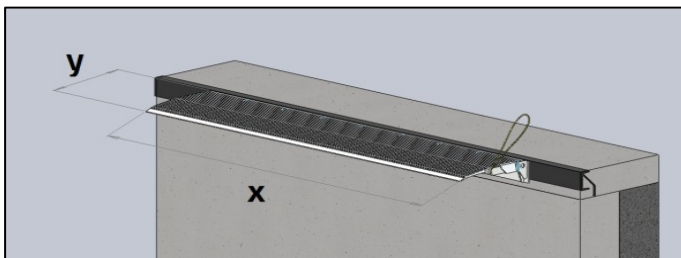
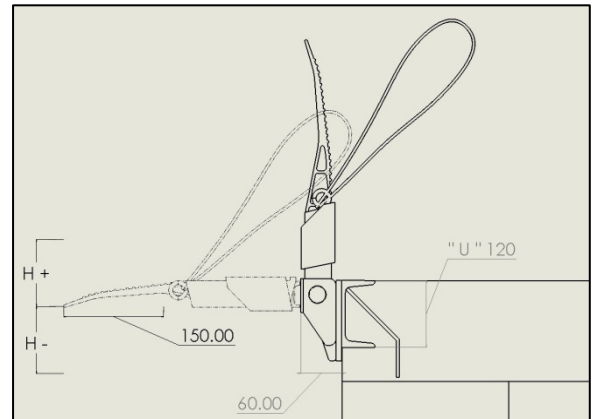
9. CR



DETAILS:

- Aluminum 6060 alloy extruded plate with surface antislip cross-ribbing surface treatment
- Rotation on hinge joint with weldable back-plate to be fixed at bay border.
- Positioning through flexible rope
- Safety anti-falling mechanical block device

OPTIONAL: aluminum L-shape plate for no-welding installation, only through screws.



*According to UNI EN 1398 standard limits 1100mm wide ramps are engineered to be used **ONLY** in couple to load on big trucks.

H+/-
 difference in height calculated according to UNI EN 1398 standard for **12,5% gradient** allowed for forklifts

CODE	X	Y	WEIGHT	H+ / H-
	(mm)	(mm)	(Kg)	
CR40	1100*	400	15	50/50
CR80	1100*	800	30	100/100
CR40A	1650	400	20	50/50
CR60A	1650	600	25	75/75
CR80A	1650	800	35	100/100
CR40B	2000	400	25	50/50
CR60B	2000	600	30	75/75