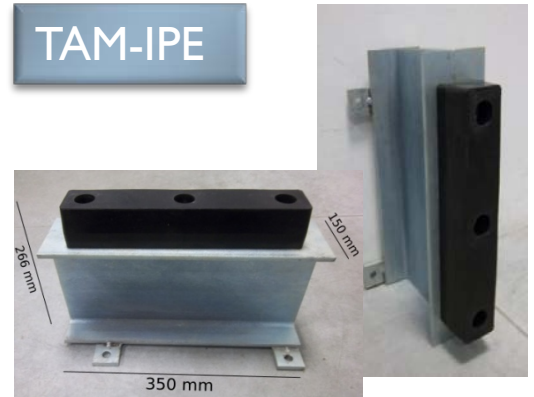


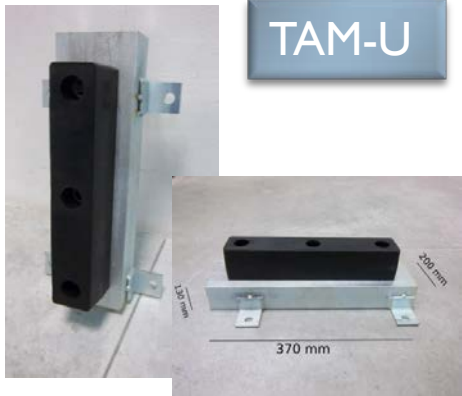
23. TAM LINE: gummy and steel truck impact shock absorbing buffers line



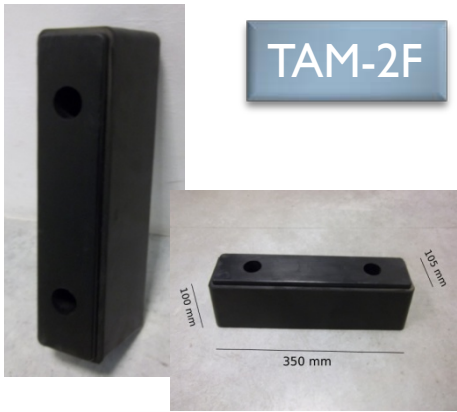
TAM-3F



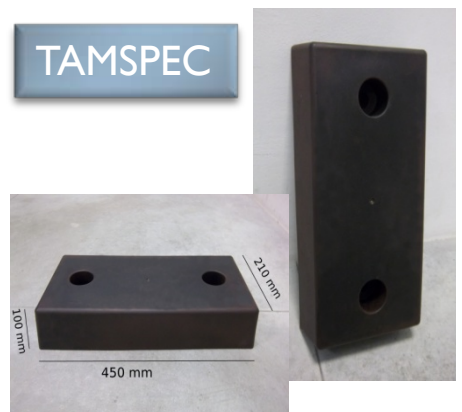
TAM-IPE



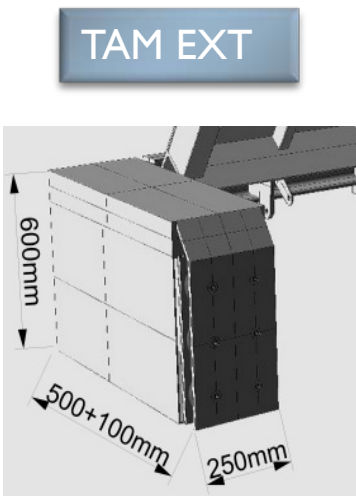
TAM-U



TAM-2F



TAMSPEC



TAM EXT



Available also with frontside covering steel sheet (+ € 40)



SWINGING BUFFER: it manages to follow truck's suspensions adjustments during loading/offloading procedures **80% WEAR ENDURANCE INCREASE** (comparing with TAM2/3F)

STEEL SHOCK ABSORBING BUFFER, with inner absorbing pucks in anti-wearing low coefficient of failure for torsion SBR rubber **MORE CONVENIENCE AND ENDURANCE!**