

# 4. TSL



## CAPACITY 6000 KG

### DETAILS

-Plate in aluminum extruded 6060 with 6000kg maximum capacity and anti-slip cross-ribbing surface treatment. Profile specifically engineered for concentrated loads with sloping front profile for perfect passage to undersliding telescopic lip -1000mm aluminum 6060 alloy telescopic lip with antislip surface, sliding under the main plate on side rails

-Double effect lip control oil piston.

-Galvanized steel boxframe for installation before pit construction (only for .OIL version)

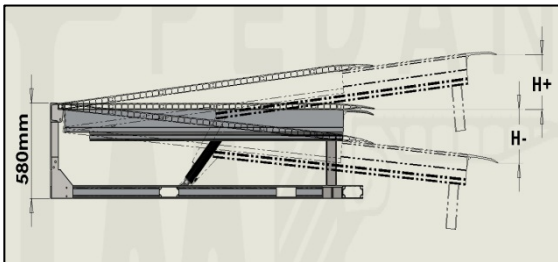
-Single effect plate lifting oil piston with parachute valve

-hydraulic control unit activated by three-phase engine

-Power panel according to CEI 20/22/2 (IP 55) standards with 7mts long connection cable included

-Standard TAM2F rubber buffers (see TAM LINE chpt.) included

-Anticrushing/shearing hinged carters.



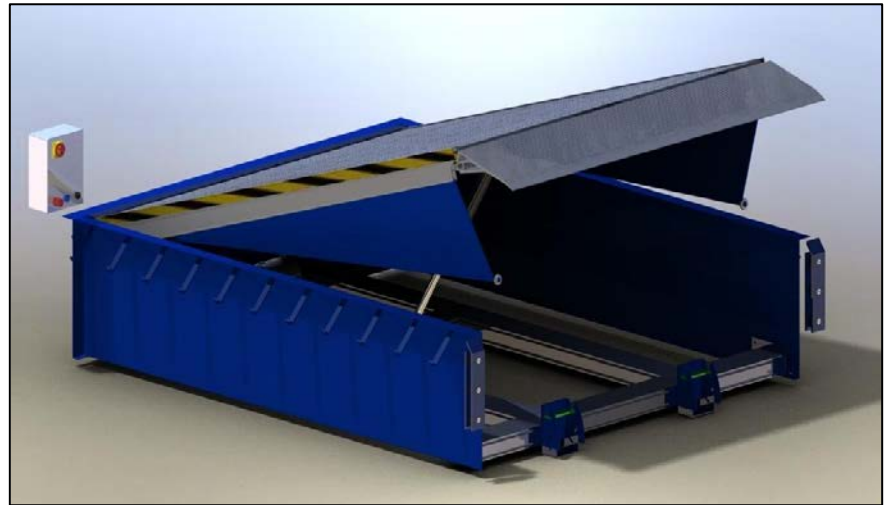
CODE	X mm	Y mm	H+/- mm	H+/- mm
<b>TSL250B</b>	<b>2000</b>	<b>2500+ LIP 1000</b>	<b>440/425</b>	<b>650</b>
TSL300B	2000	3000+ LIP 1000	500/425	690
TSL250C	2200	2500+ LIP 1000	440/425	700
TSL300C	2200	3000+ LIP 1000	500/425	750

H+/- = difference in height calculated according to UNI EN 1398 standard for **12,5% gradient allowed for forklifts**

## 5. ACCESSORIES

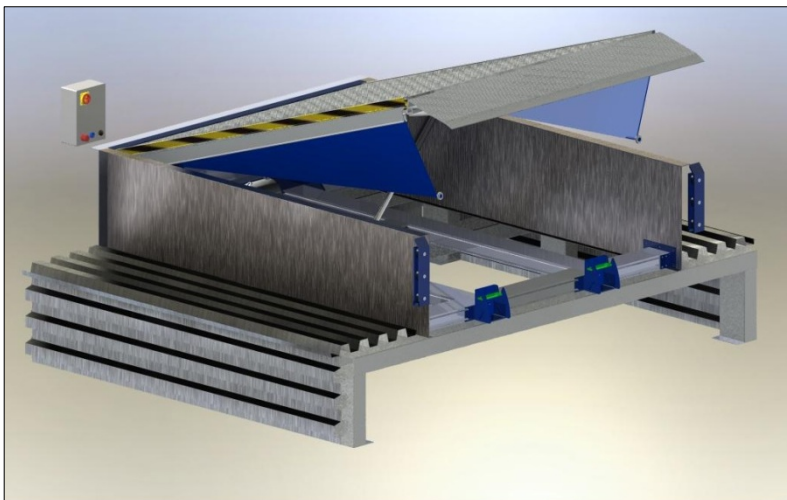
### BF:

optional boxframe elements  
 to be combined with  
NEW OIL STANDARD  
 hydraulic dock levelers  
 for installation  
 before pit construction



### DETAILS:

- Couple of lateral press-formed 4mm thick sheets
- Backside press-formed thick sheet 100x200x3mm + coating 1mm thick sheet



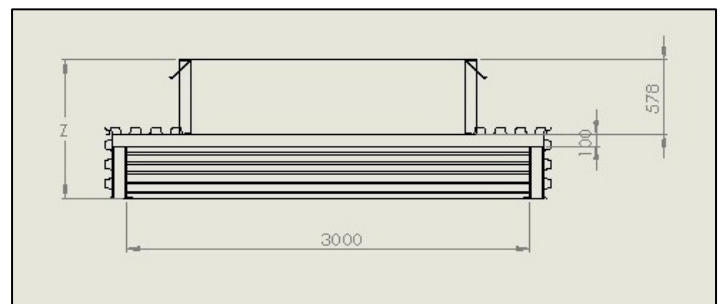
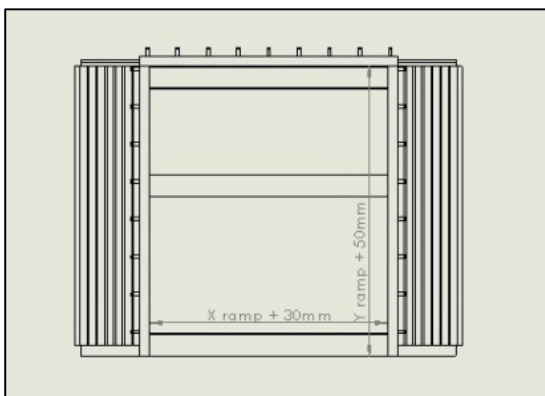
### VS:

### tailboard housing

Combinable with  
NEW OIL STANDARD + BF or OIL  
 hydraulic dock levelers  
 in order to load/offload trucks  
 with CANTILEVER TAIL LIFTS

### DETAILS:

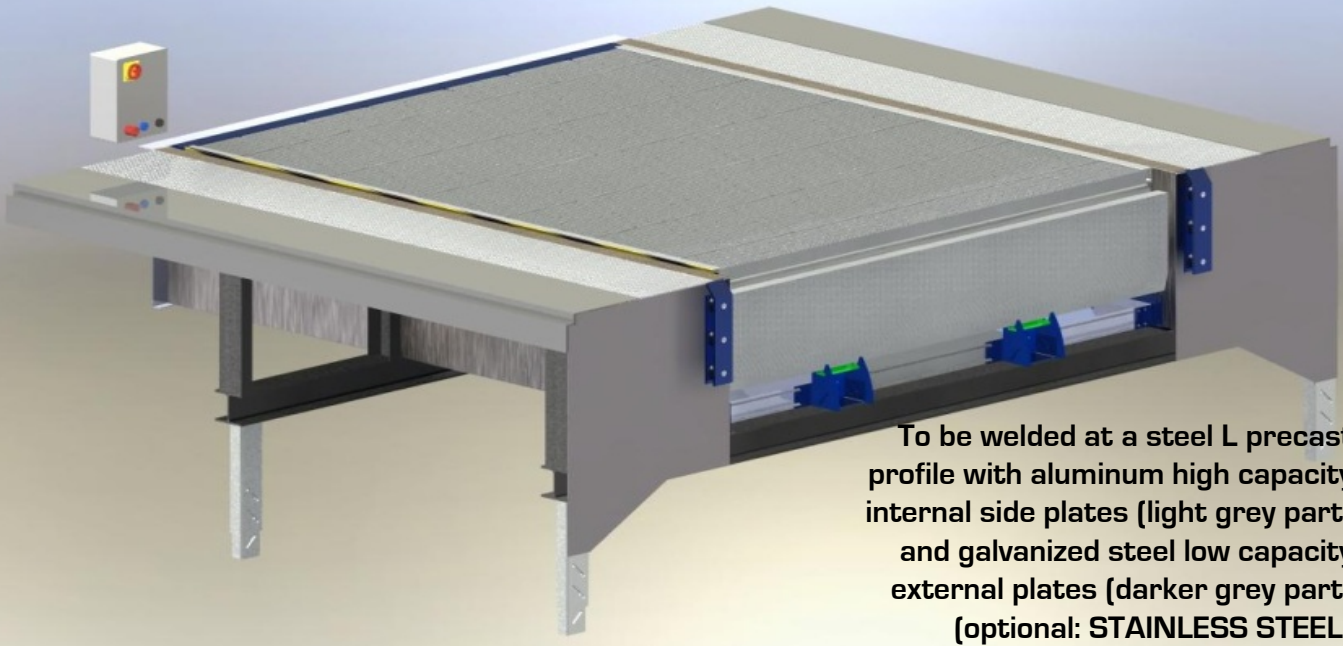
- **Tubular galvanized steel structure** with 3000mm internal width for tailboard housing, length according to NEW OIL chosen model
- **Corrugated steel sheet** for concrete casting



Quote 'z' has to be fixed altogether with customer according to established loading bay height

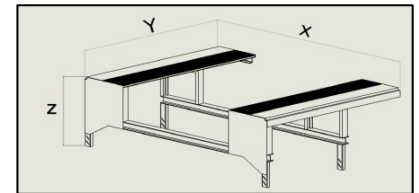
# 5. ACCESSORIES

## OVERBAY PROFILE



To be welded at a steel L precast profile with aluminum high capacity internal side plates (light grey part) and galvanized steel low capacity external plates (darker grey part) (optional: STAINLESS STEEL)

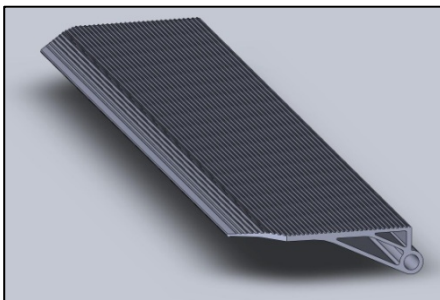
CODE	X (mm)	Y (mm)	PRICE (€)
XB 200	3450	2000	*1848
<b>XB 250</b>	<b>3450</b>	<b>2500</b>	<b>*2000</b>
XB 300	3450	3000	*2464



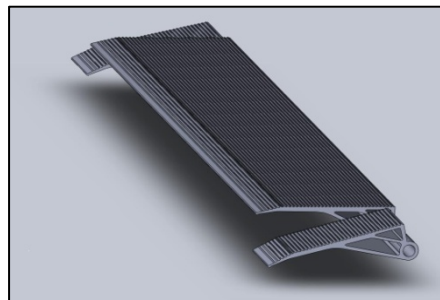
\* Prices refer only to the overbay profile, the ramp itself is not included

Z factor is to be established according to the bay's height

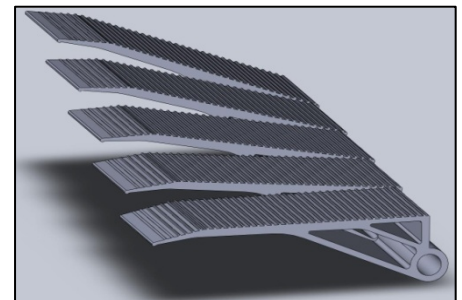
## DIFFERENT CONNECTION LIP TYPES



Surplus for 45° cut lip



Surplus for side flaps cutting



Surplus for complete segmentation

## DIFFERENT POWER PANELS

QCSEZ  
 Combo panel  
 for double  
 ramp/door  
 control



QCMEC  
 Mecanical  
 panel

